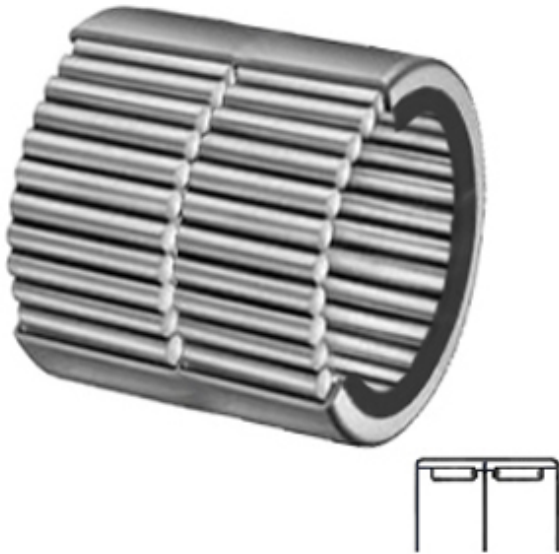




Wuxi LZH Bearing Co., Ltd.



1.125 Inch | 28.575 Millimeter x 1.625 Inch |
41.275 Millimeter x 1.25 Inch | 31.75 Millimeter
MCGILL GR 18 RS Needle Non Thrust Roller
Bearings

Bearing No. GR 18 RS

GR 18 RS Bearing 2D drawings and 3D CAD models

Category	Needle Non Thrust Roller Bearings
Inventory	0.0
Manufacturer Name	REGAL BELOIT
Minimum Buy Quantity	N/A
Weight	0.145
EAN	0726166061722
Product Group	B04144
Rolling Element	Needle Roller Bearing
Component	Roller Assembly with Outer Ring - No Inner Ring
Enclosure	1 Seal
Self Aligning	No
Retainer	No
Number of Rows of Rollers	Double Row
Separable	No
Closed End	No
Inch - Metric	Inch
Relubricatable	Yes
Thrust Bearing	No
Long Description	1-1/8" Bore; 1-5/8" Outside Diameter; 1-1/4" Width; Needle Roller Bearing; Roller Assembly with Outer Ring - No Inner Ring; 1 Seal Enclosure; No Self Aligning;



Wuxi LZH Bearing Co., Ltd.

	No Retainer; Double Row o
Other Features	1 Rib Outer Ring Full Complement Heavy Duty Oil Hole
Category	Needle Non Thrust Roller Bearing
UNSPSC	31171512
Harmonized Tariff Code	8482.40.00.00
Noun	Bearing
Keyword String	Needle
Manufacturer URL	http://www.emerson-ept.com
Manufacturer Item Number	GR-18-RS
Manufacturer Internal Number	5001840000
Weight / LBS	0.32
d	1.125 Inch 28.575 Millimeter
D	1.625 Inch 41.275 Millimeter
B	1.25 Inch 31.75 Millimeter